



THE
ARTHUR
G. RUSSELL
CO., INC.

UNI CLAMP[®] FITTINGS



UNICLAMP®

FITTINGS

UNICLAMP Columns and Clamps provide a convenient, rugged means of supporting light mechanisms without the use of weldments or specially designed and machined castings. By combining various UNICLAMP Fittings virtually any mounting position and compound angle can be achieved.

UNICLAMP Fittings are available in two sizes, one series for attaching to $\frac{7}{8}$ " diameter columns and the other for attaching to $1\frac{3}{4}$ " diameter columns.

Considerable savings in time and money can be realized by using these brackets as permanent machine frame members. Even a simple support bracket for a mechanism usually entails several hours drafting time plus time in the welding shop or foundry and expensive machining operations. Most of this cost and time can be eliminated by the use of UNICLAMP Fittings.

We have also found UNICLAMP Fittings invaluable for construction of mock-ups in our experimental laboratory. This mock-up work almost always entails supporting machine elements in a wide variety of positions.

There are 5 different clamps in the series used on $1\frac{3}{4}$ " diameter columns: one is for base mounting, four are for making extensions and branches. The line of smaller UNICLAMP Fittings (used with $\frac{7}{8}$ " diameter rod columns) features seven different clamps: one for base mounting and six for extensions and branches. All

column clamps are equipped with a clamp screw and a tapped hole for a spreader screw for ease of assembly and positioning on the column.

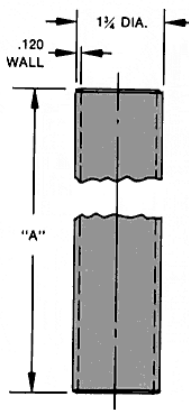
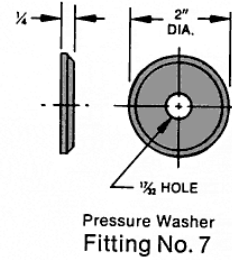
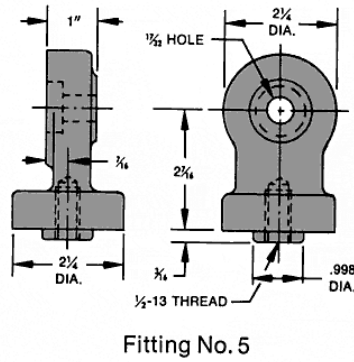
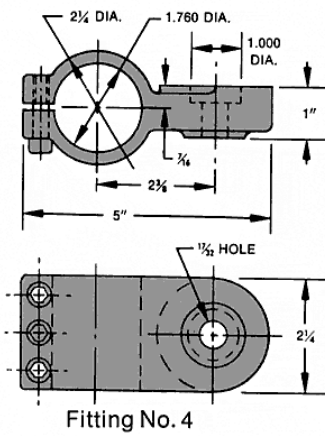
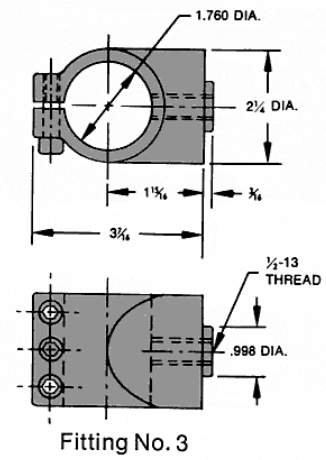
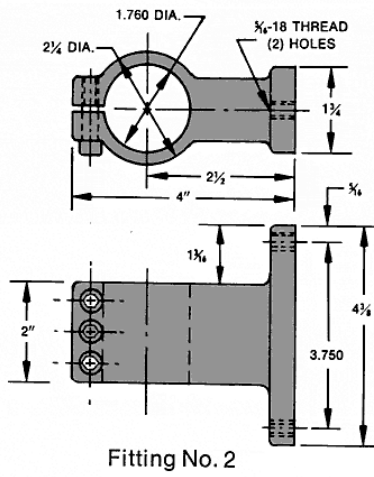
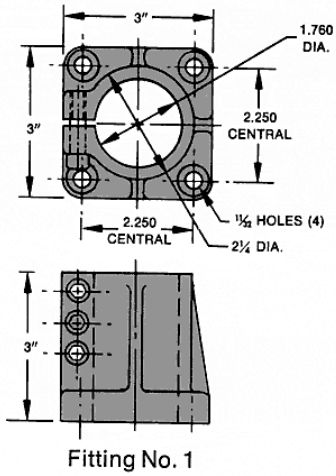
The $1\frac{3}{4}$ " columns are plated steel tubing and are available in 12", 18", 24", 30" and 36" lengths. Nickel-plated steel plug buttons are used for capping the ends of the tubing. The $\frac{7}{8}$ " diameter column is plated steel rod and is available in standard lengths. Heavy pressure washers (Fittings

#7 & #17) are available for attaching plates or mechanisms to the turret-type mountings. For example, see photos of APRT-2 in Mechanical Devices Catalog.

UNICLAMP Columns and Clamps are also useful for making up inexpensive work holders for short-run machining operations. When the brackets are used as a permanent machine frame, all joints can be doweled at assembly to prevent subsequent movement or maladjustments.



UNICLAMP fittings for 1 3/4" diameter columns

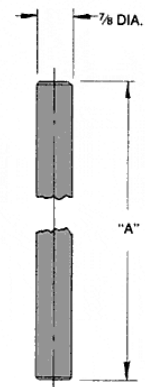


Columns
Fitting No. 6

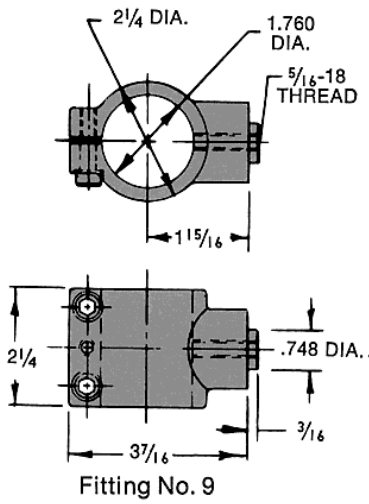
FITTING NO.	LENGTH "A"
6-12	12"
6-18	18"
6-24	24"
6-30	30"
6-36	36"

Columns
Fitting No. 18

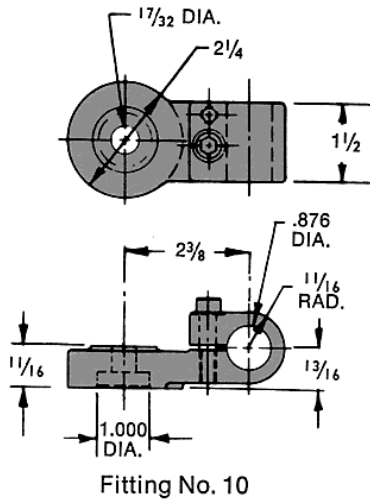
FITTING NO.	LENGTH "A"
18-12	12"
18-18	18"
18-24	24"
18-30	30"
18-36	36"



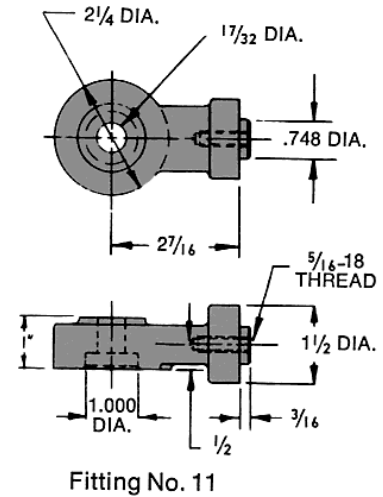
UNICLAMP fittings for 7/8" diameter columns



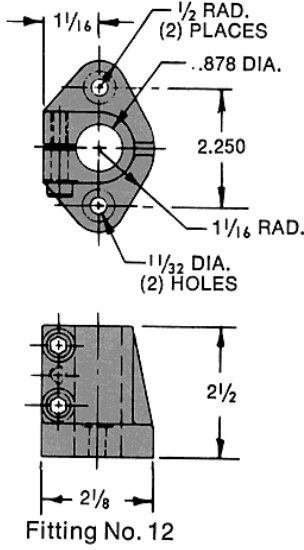
Fitting No. 9



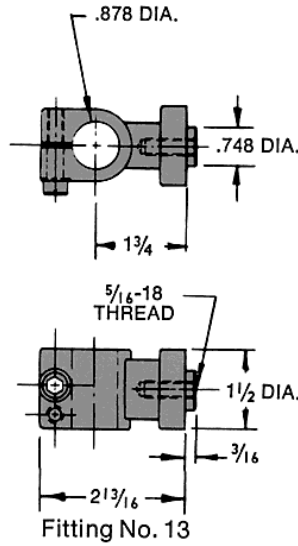
Fitting No. 10



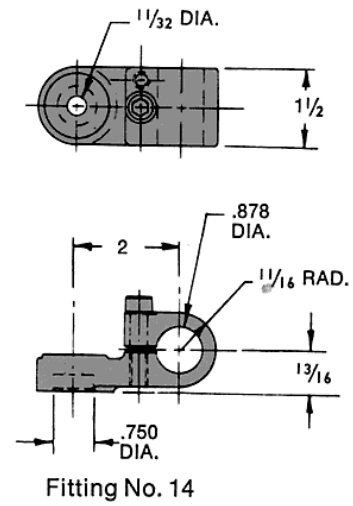
Fitting No. 11



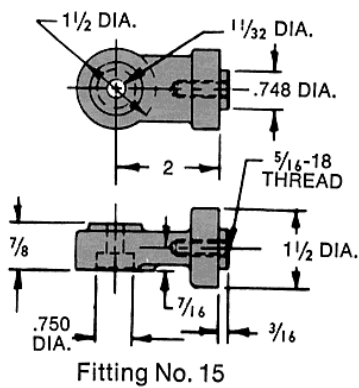
Fitting No. 12



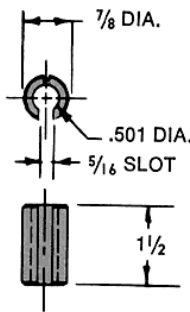
Fitting No. 13



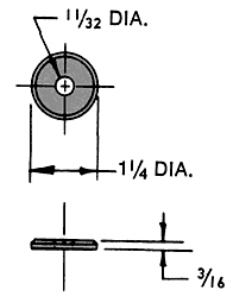
Fitting No. 14



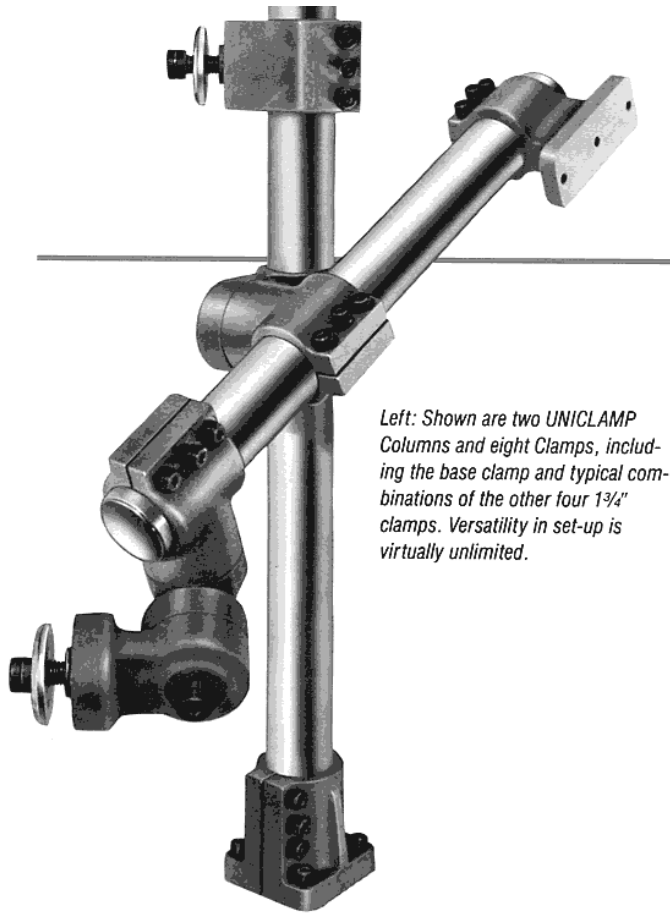
Fitting No. 15



Fitting No. 16



Fitting No. 17



Left: Shown are two UNICLAMP Columns and eight Clamps, including the base clamp and typical combinations of the other four 1 $\frac{3}{4}$ " clamps. Versatility in set-up is virtually unlimited.



Shown here are several of the 7/8" fittings on 7/8" diameter rod.