

Dec. 10, 1968

G. N. WILLIS ET AL

3,415,162

ESCAPEMENT MECHANISM

Filed Sept. 2, 1966

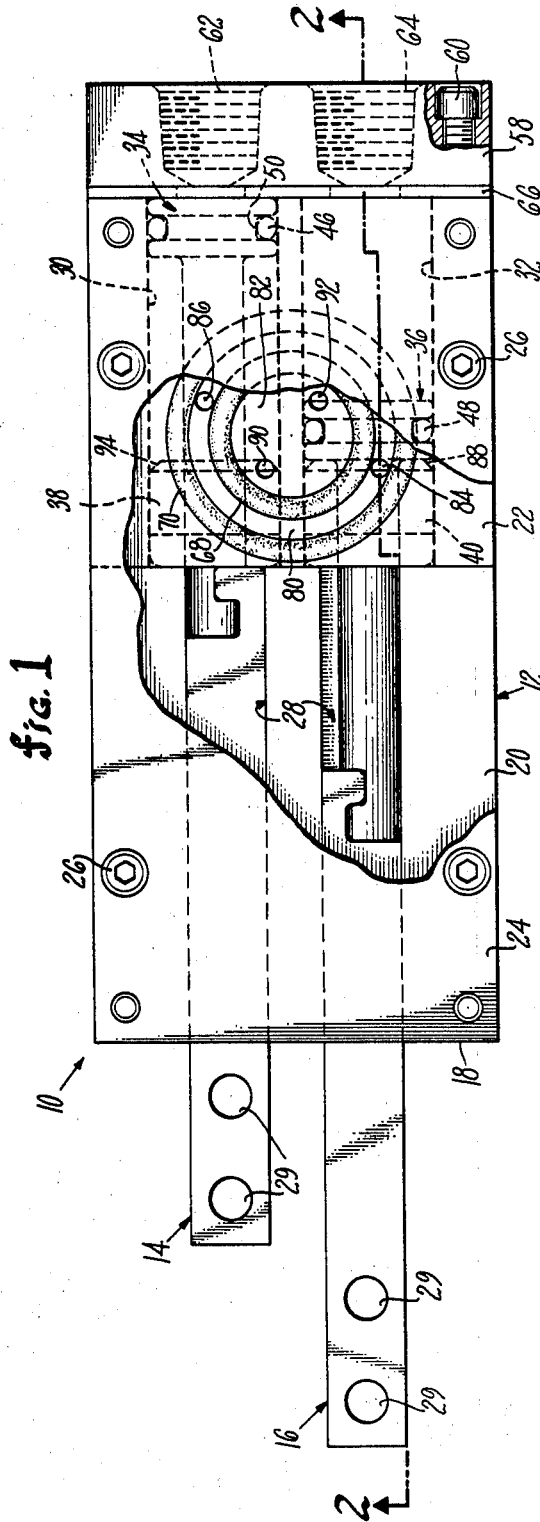


fig. 1

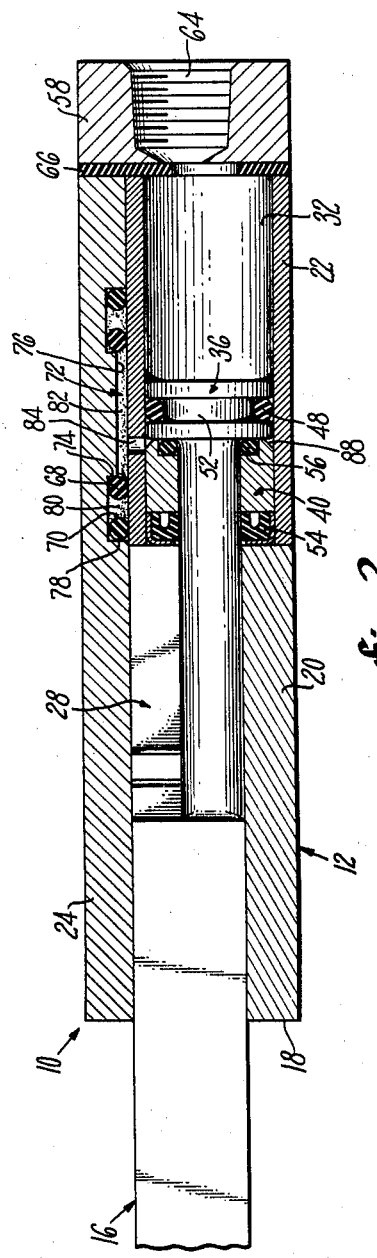


fig. 2

INVENTOR.
GRANT N. WILLIS
IRVING Y. LAKE

BY *Lindsey, Prutzman and Hayes*
ATTORNEYS